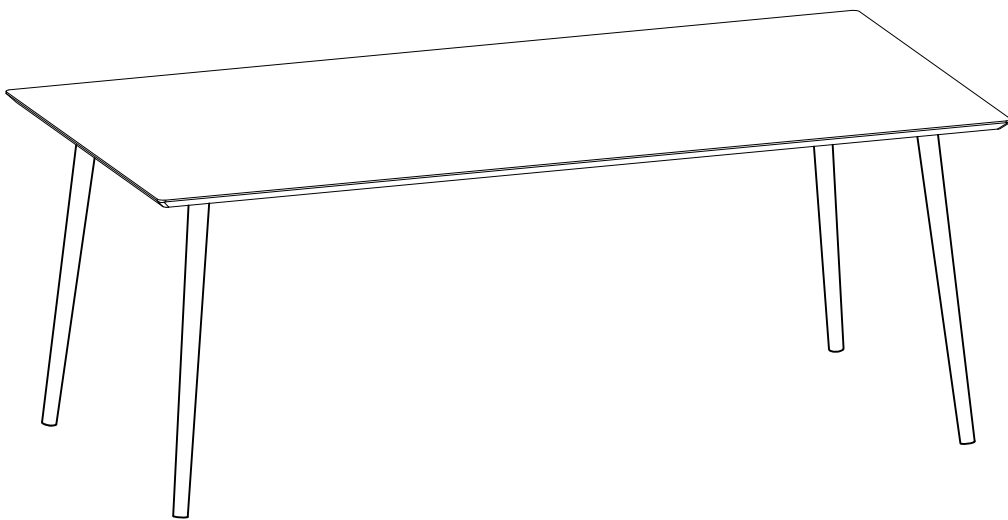
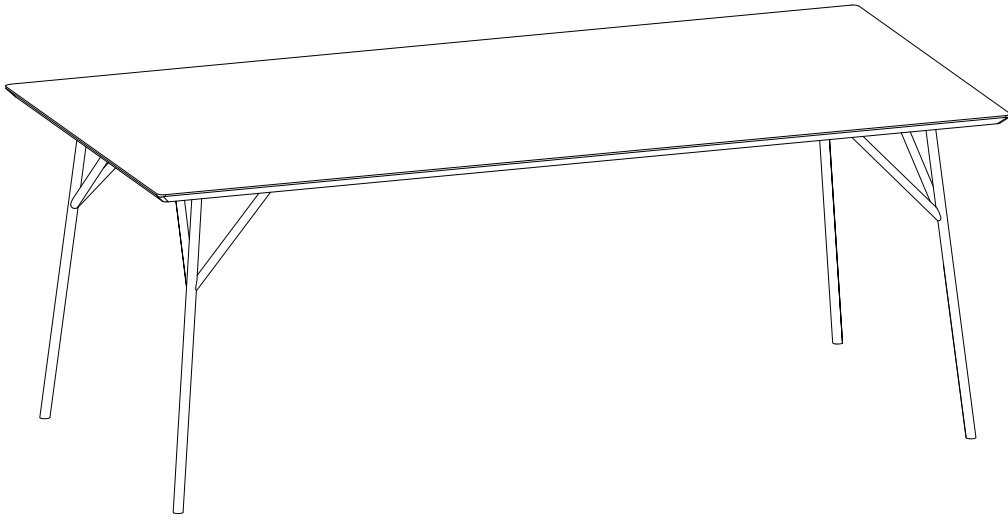



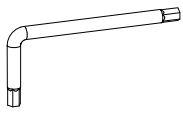
SOFACOMPANY

Dining Table

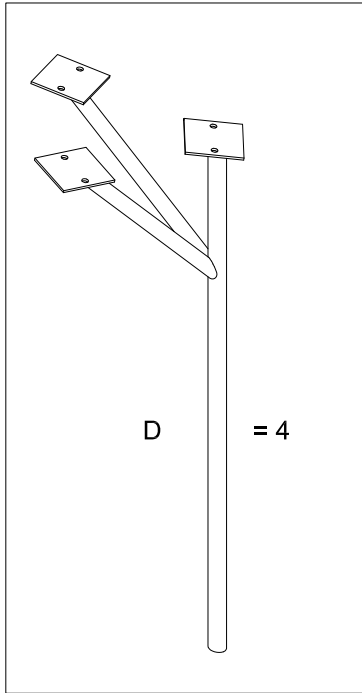


A  =24

B  =8

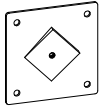
G  =1


3 A



One or the other:

3 B

C  = 4

E  = 4

