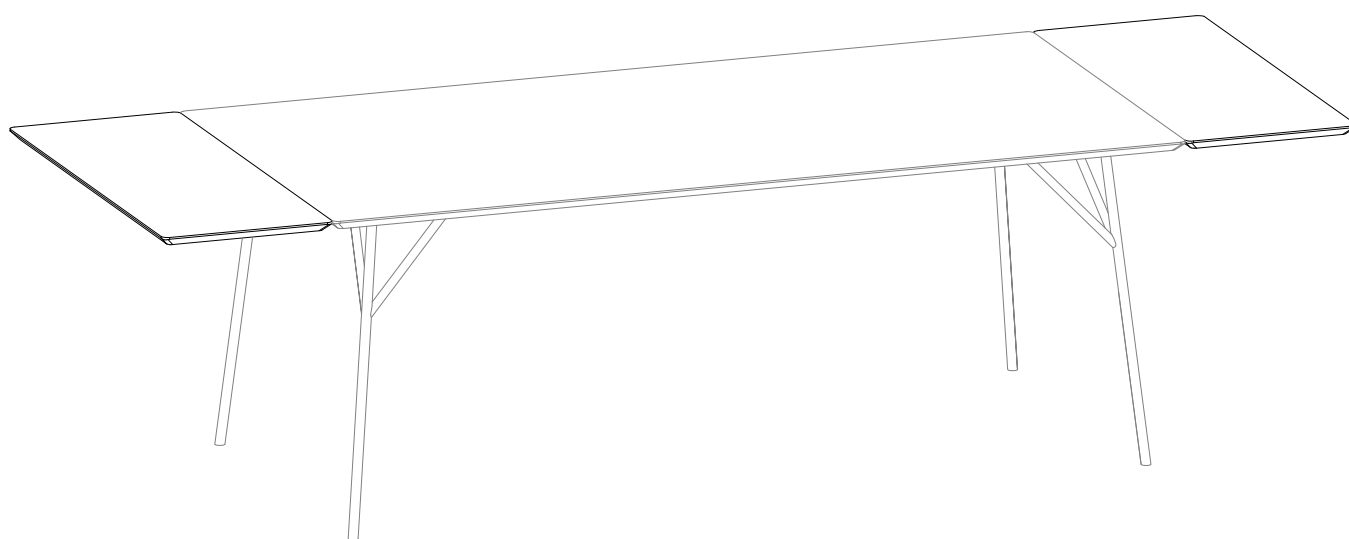



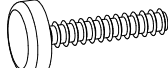
SOFACOMPANY

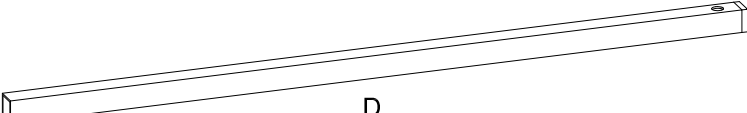
Extra Plate for Dining Table

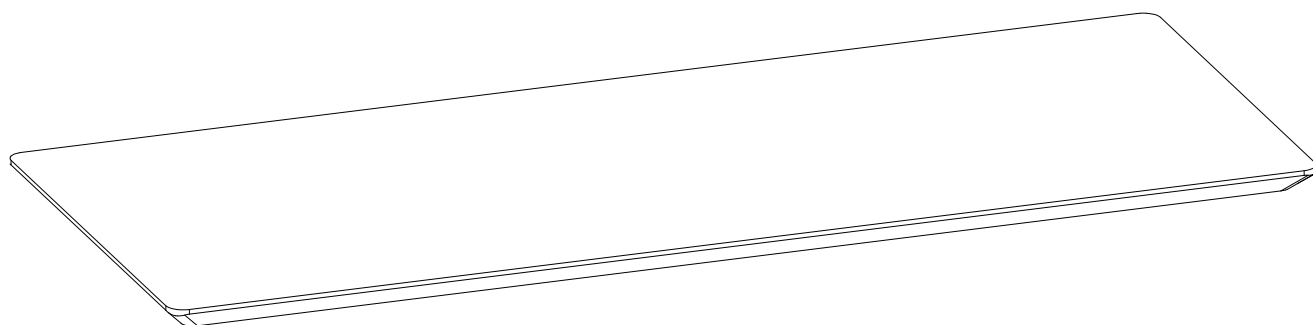


A  = 24

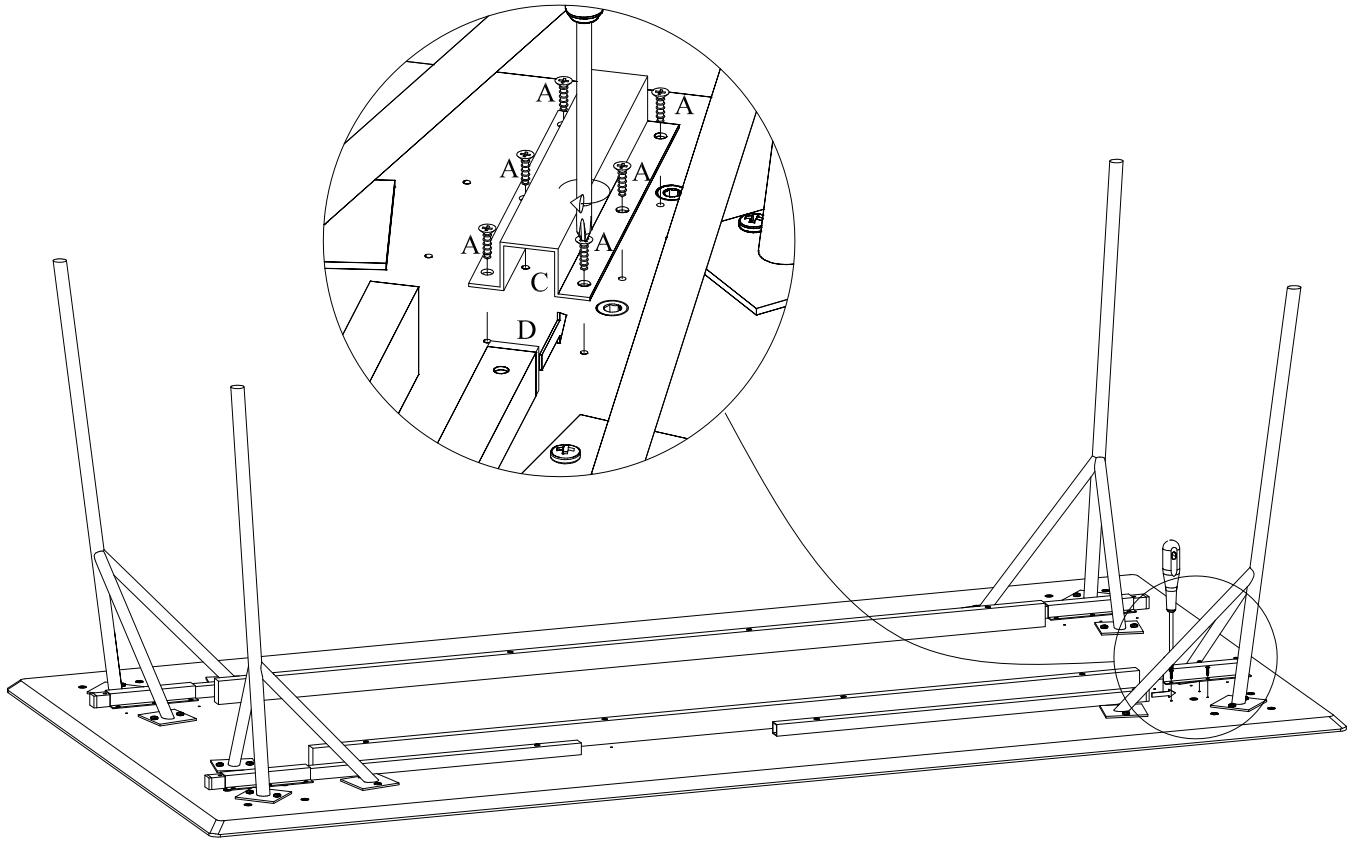
C  = 4

B  = 4

D  = 4



3



4

