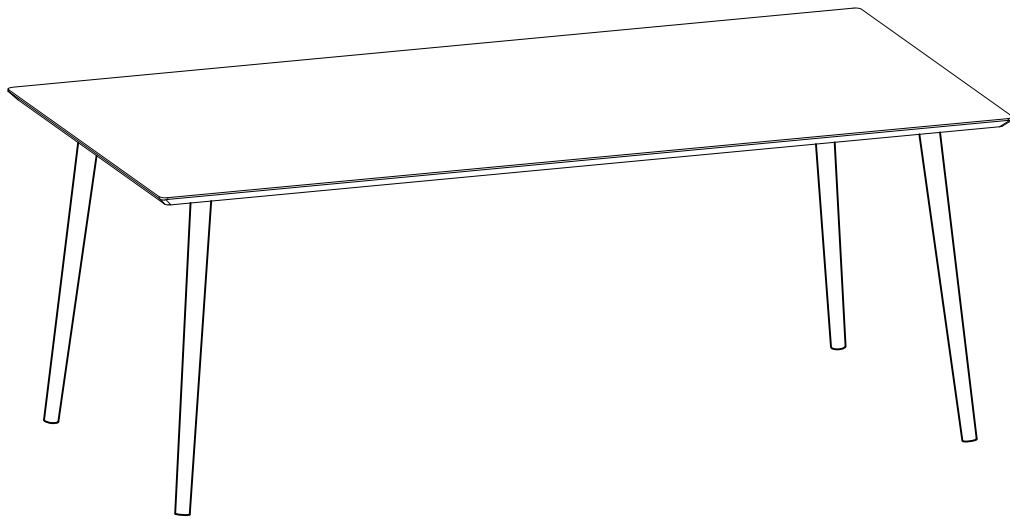
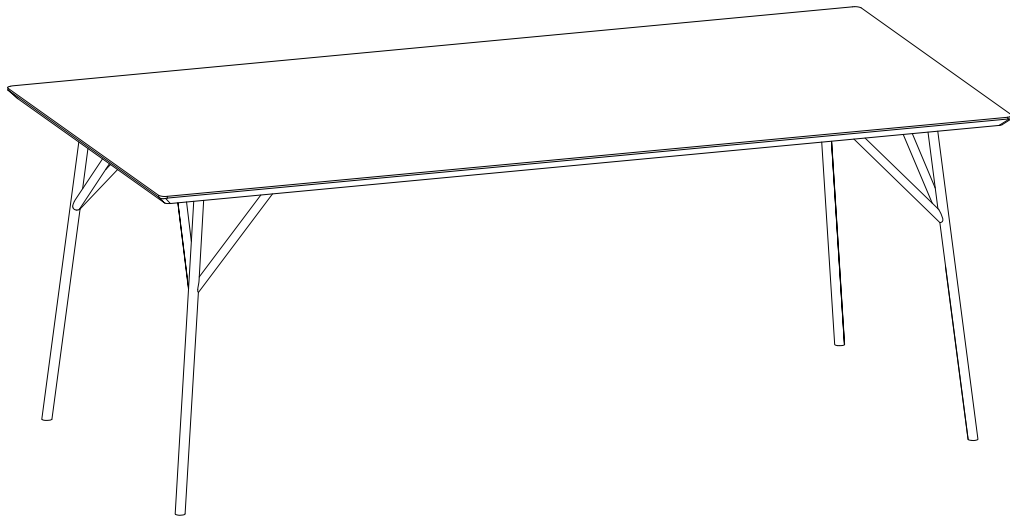


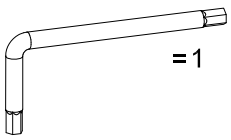
# SOFACOMPANY

## Dining Table

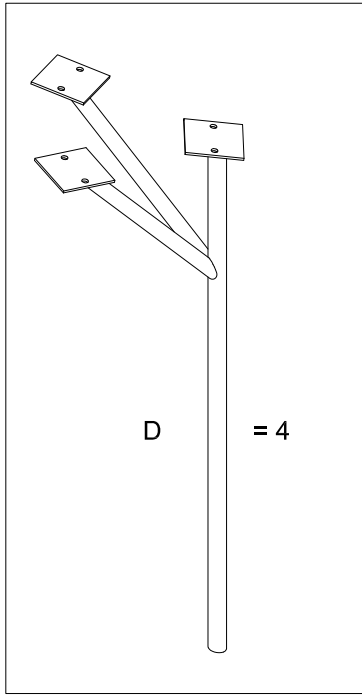


A  = 8

B  = 24

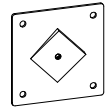
C  = 1


3 A

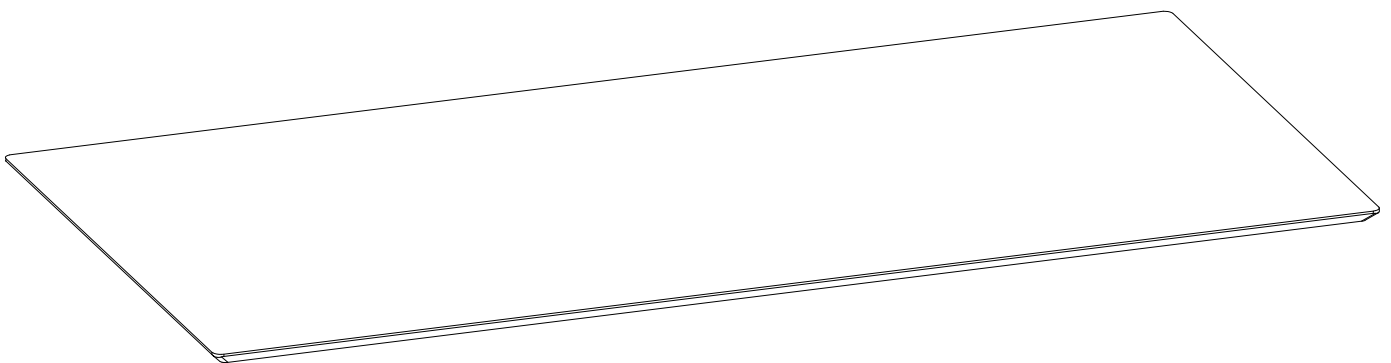
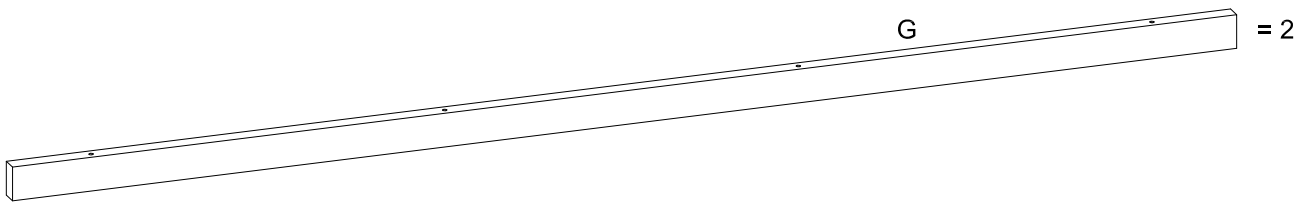


One or the other:

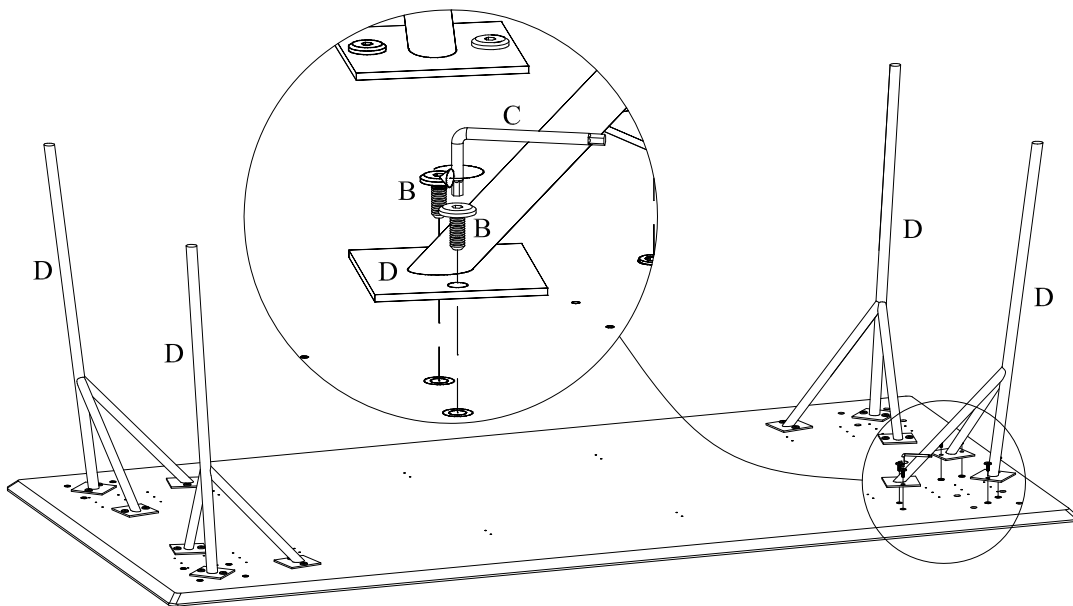
3 B

F  = 4

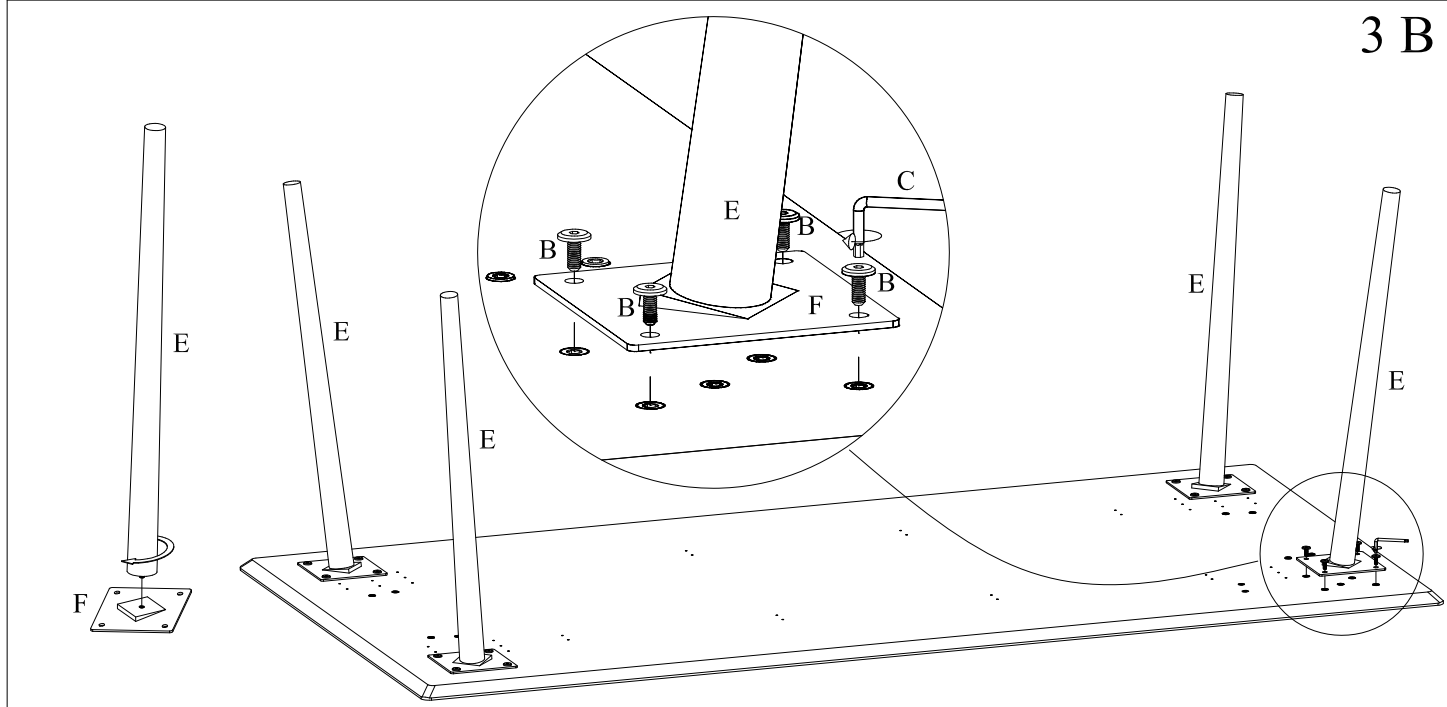
E  = 4



3 A



3 B



4

