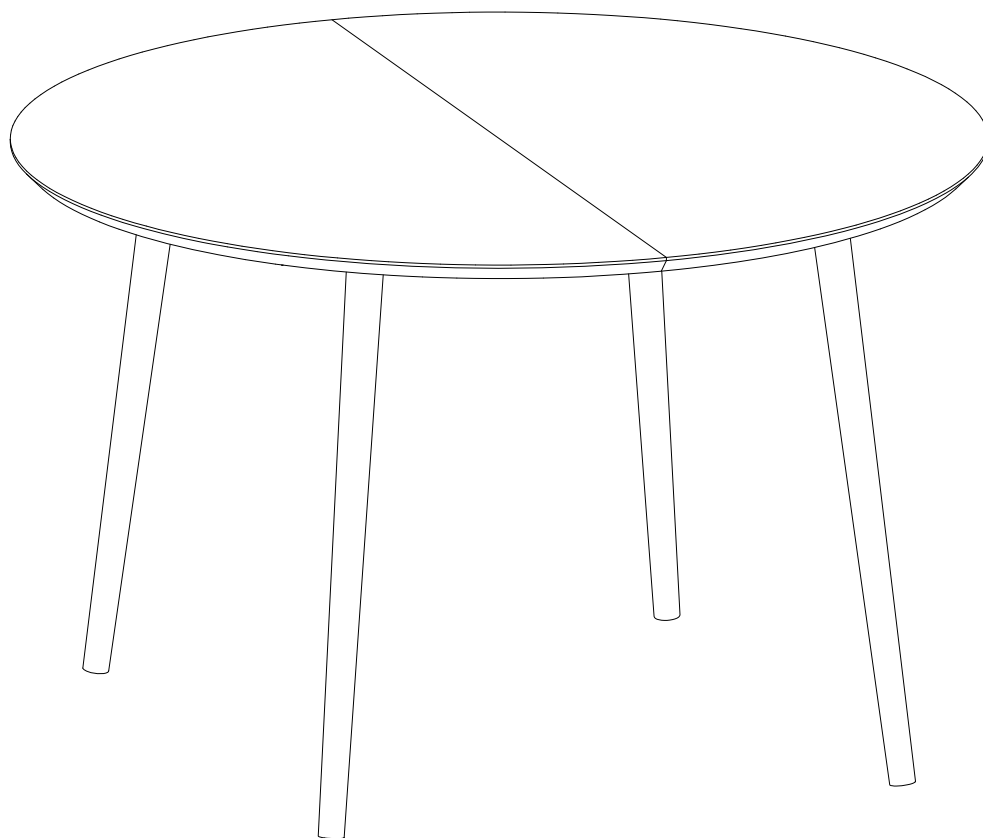


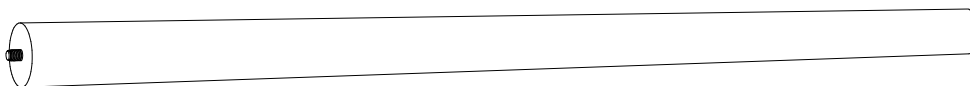
# SOFACOMPANY

## Dining Table

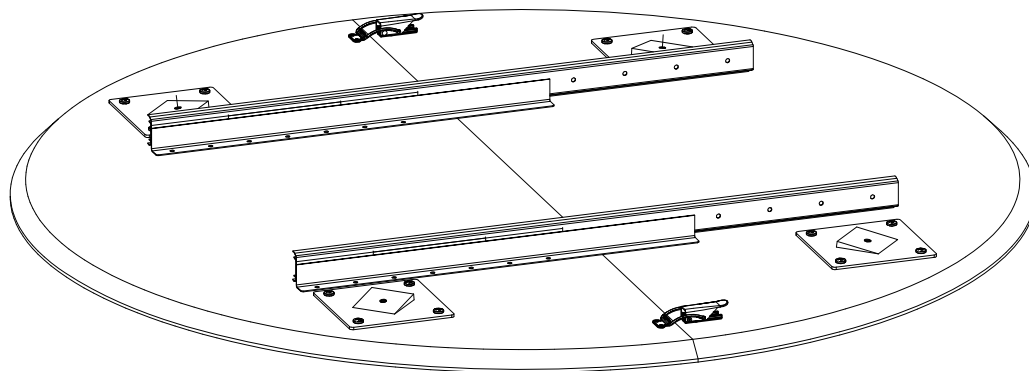


1

A = 4



2



3

