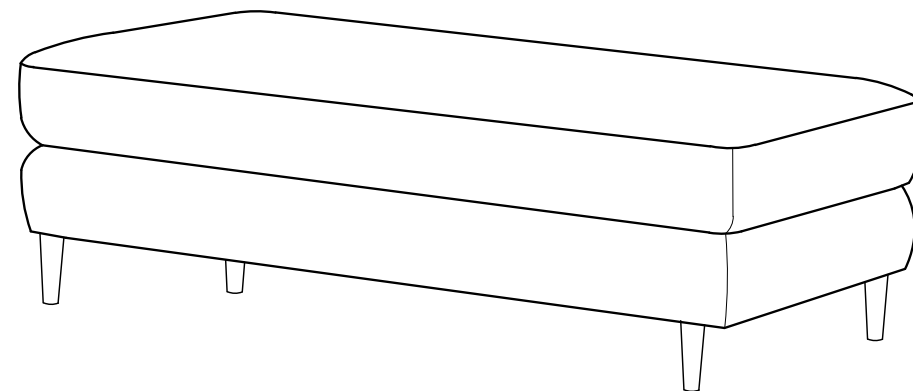
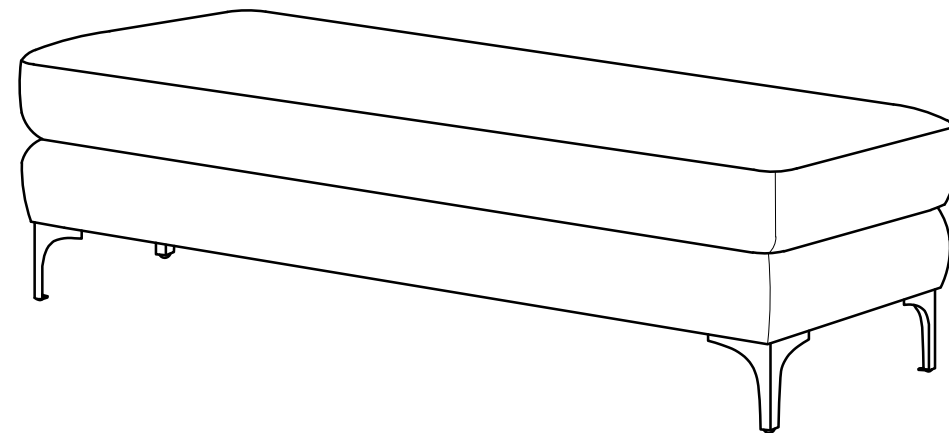


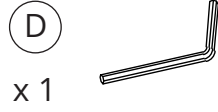
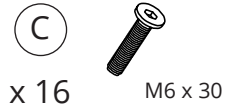
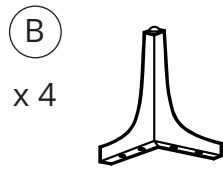
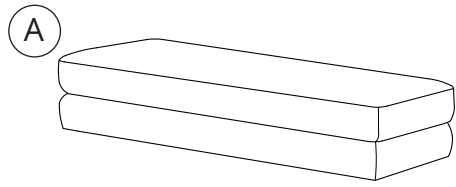
Assembly manual

# Astha Bench

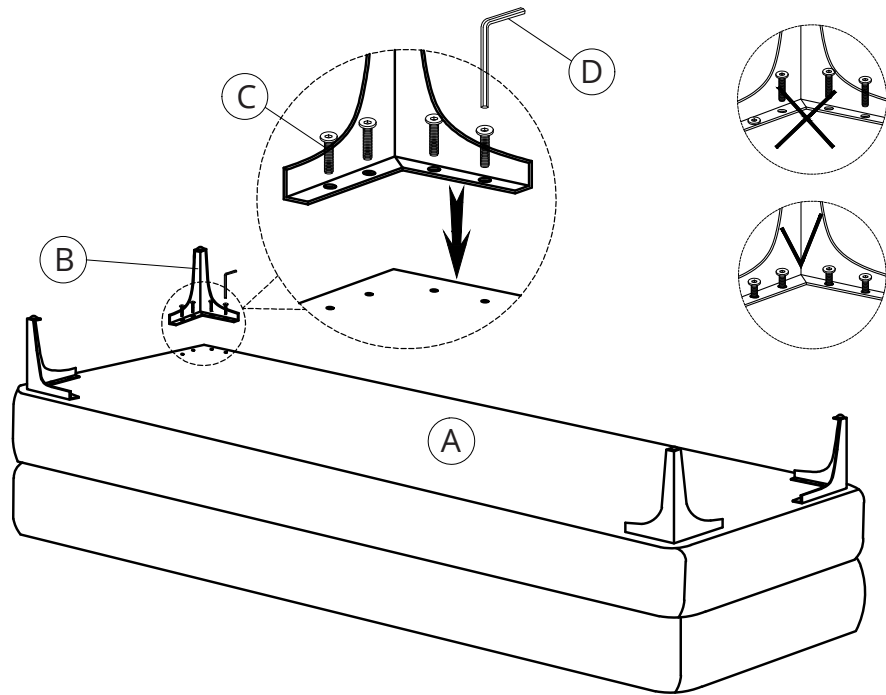


**SOFACOMPANY**

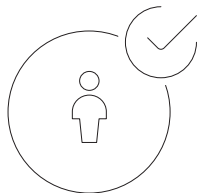
Parts included



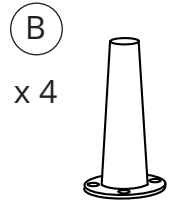
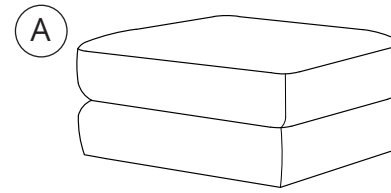
Instructions



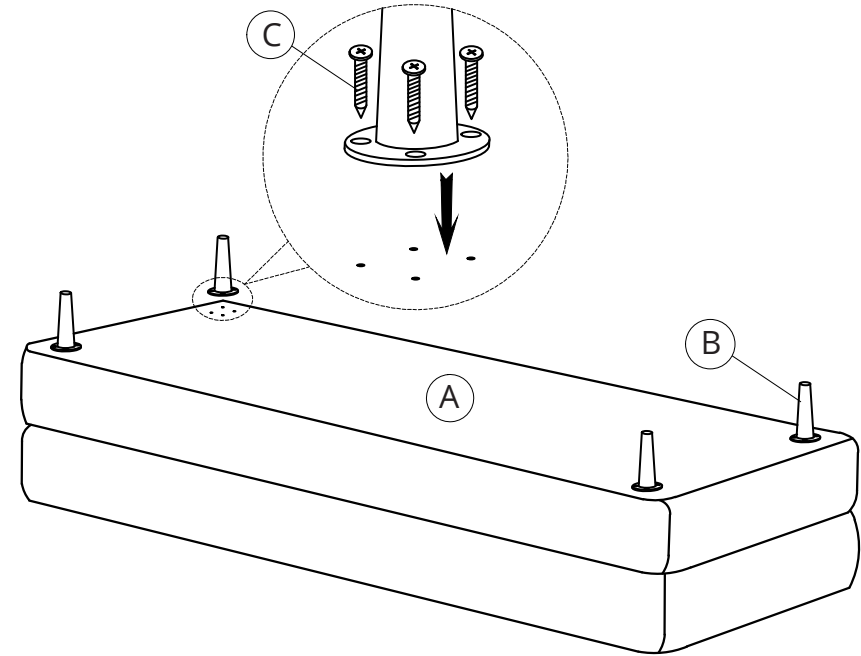
Noted: Please use this Assembly Instruction when you choose **steel leg version**.



Parts included



Instructions



Noted: Please use this Assembly Instruction when you choose **wooden leg version**.

