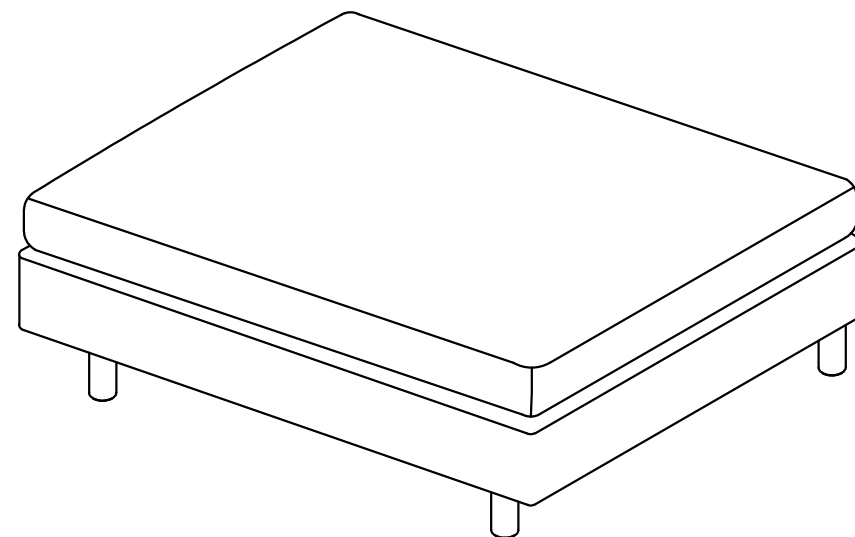


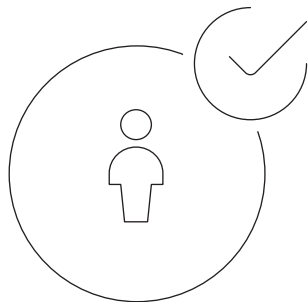
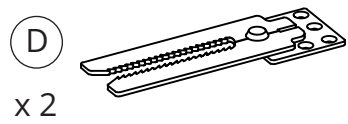
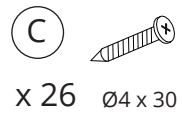
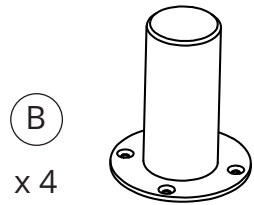
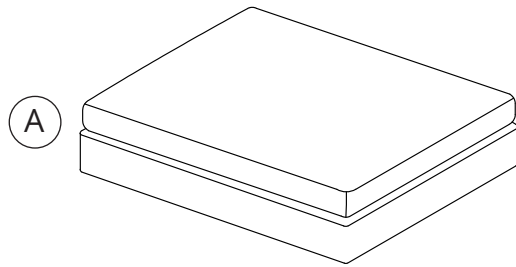
Assembly manual

Douglas Footrest



SOFACOMPANY

Parts included



Instructions

