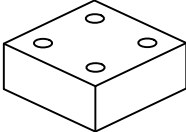
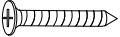
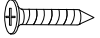


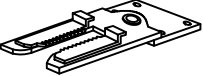
MD 1845-1S Module (DUKE)


HARDWARE AND COMPONENT

- A

x4

- B

x 16
(+2 extra)

- C

x 18
(+2 extra)

- D

x 2

- E

x 2

PEOPLE REQUIRED



MADE IN VIETNAM

