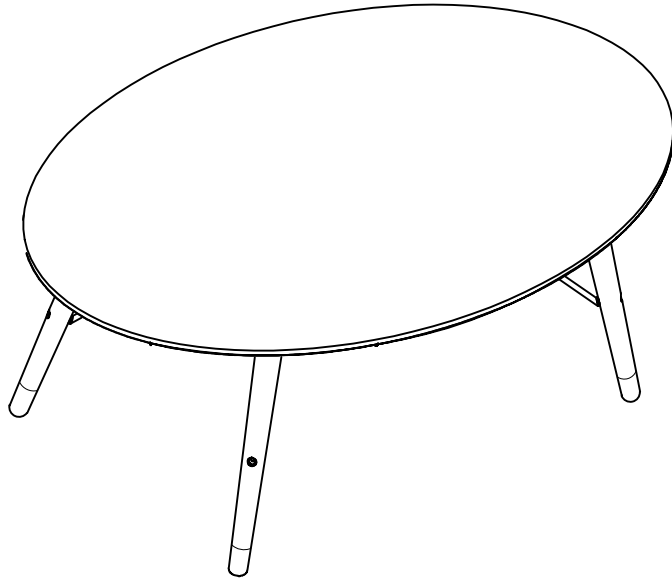





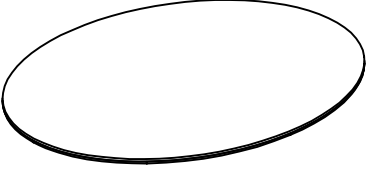
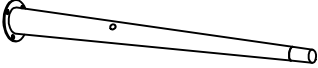
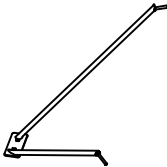


ASSEMBLY INSTRUCTION

PN 1004 (GRACE)



Ltr.	Qty.	HARDWARE INCLUDED	
A	01		Allen Wrench
B	16	 M6 x 20	Allen Bolt
C	04		Hex Nut
D	16		Spring washer
E	16		Flat washer

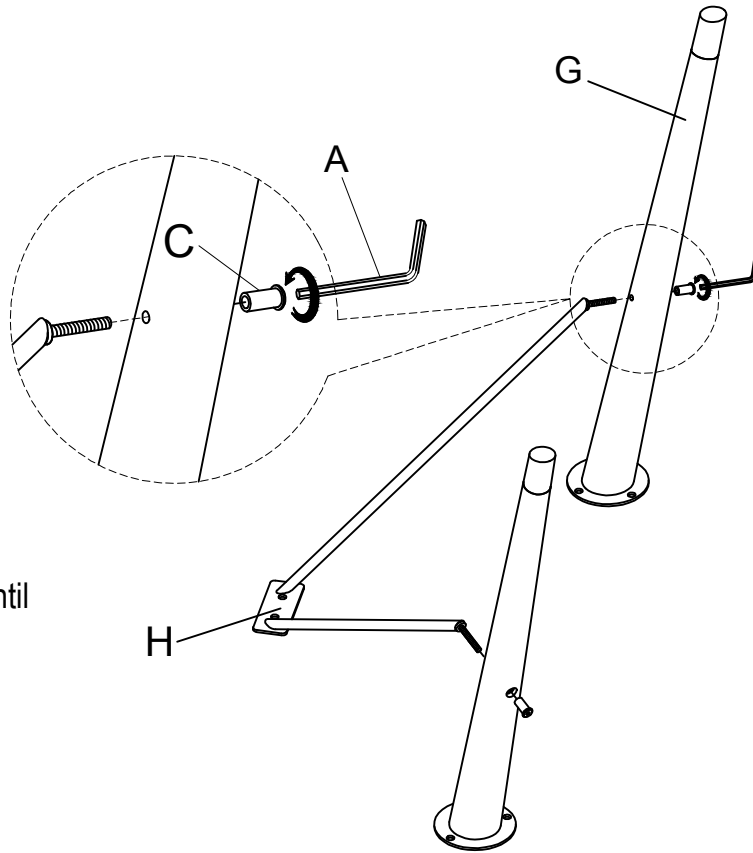
Ltr.	Qty.	COMPONENTS	
F	01 pc		Table top
G	04 pcs		Leg
H	02 pcs		Metal

ASSEMBLY INSTRUCTION

PN 1004

(GRACE)

STEP 1



NOTE:

Do not over tighten the bolts until all parts are assembled

STEP 2

