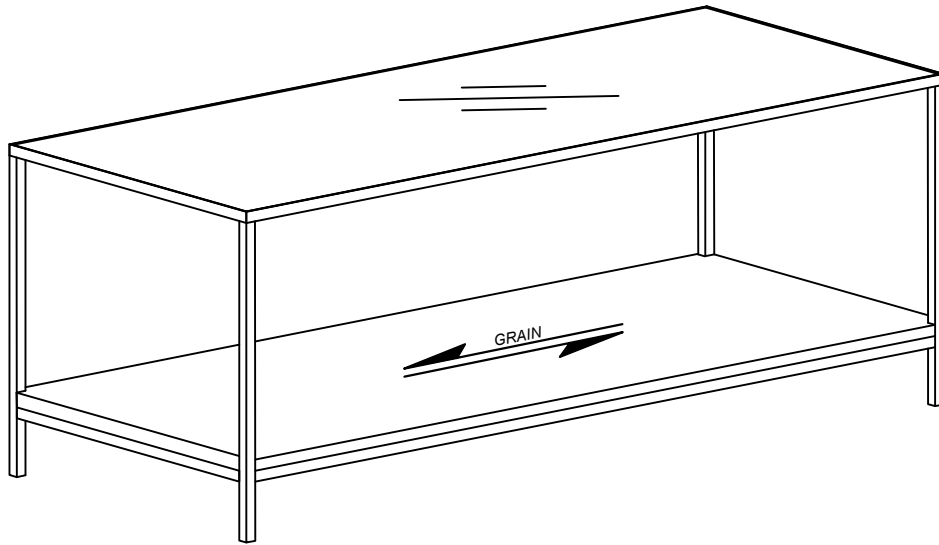





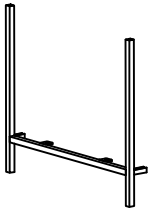


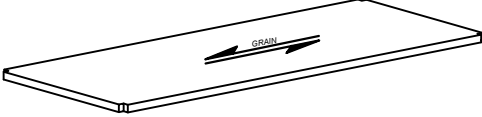


ASSEMBLY INSTRUCTION

N 1131(Noel)



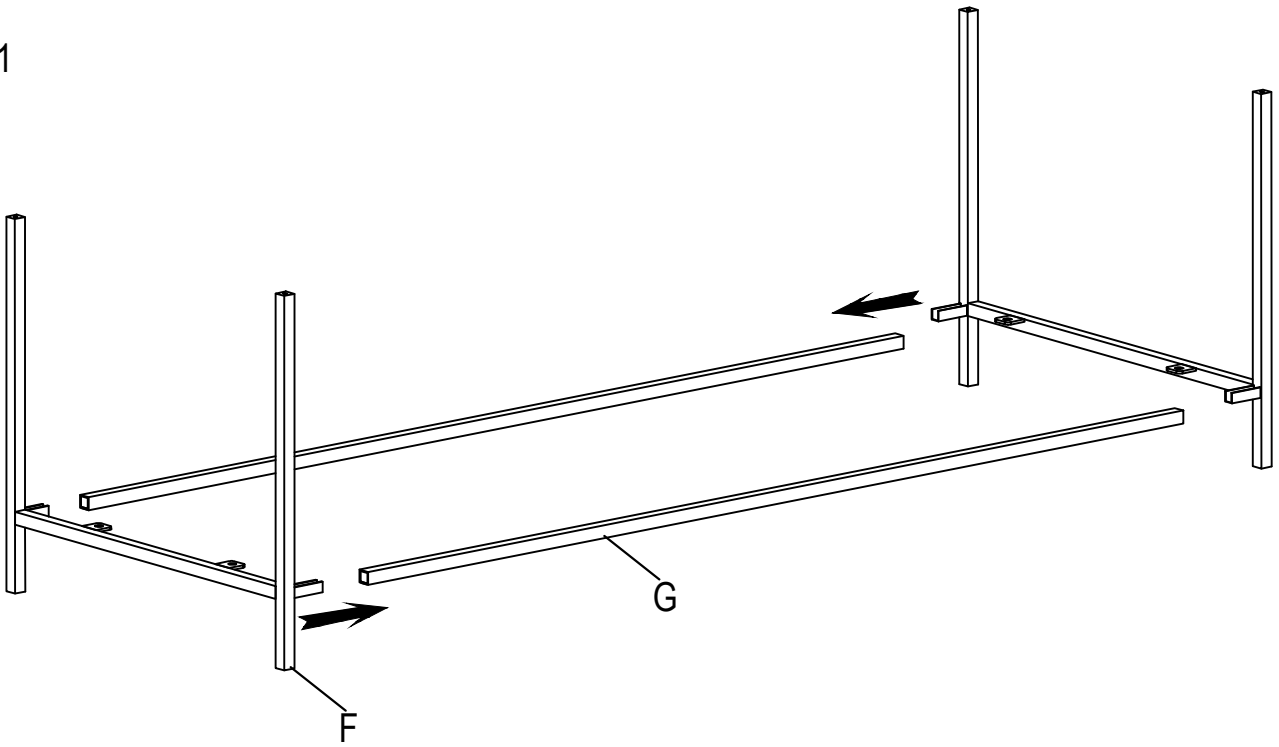
| Ltr. | Qty. | HARDWARE INCLUDED | |
|------|------|--|---------------|
| A | 01 |  | Allen Wrench |
| B | 12 |  M6 x 15 | Allen Bolt |
| C | 08 |  | Flat washer |
| D | 08 |  | Spring washer |

| Ltr. | Qty. | COMPONENTS | |
|------|--------|---|------------|
| E | 01 pc |  | Table top |
| F | 02 pcs |  | Leg |
| G | 02 pcs |  | |
| H | 01 pc |  | Table base |
| J | 01 pc |  | Shelf |

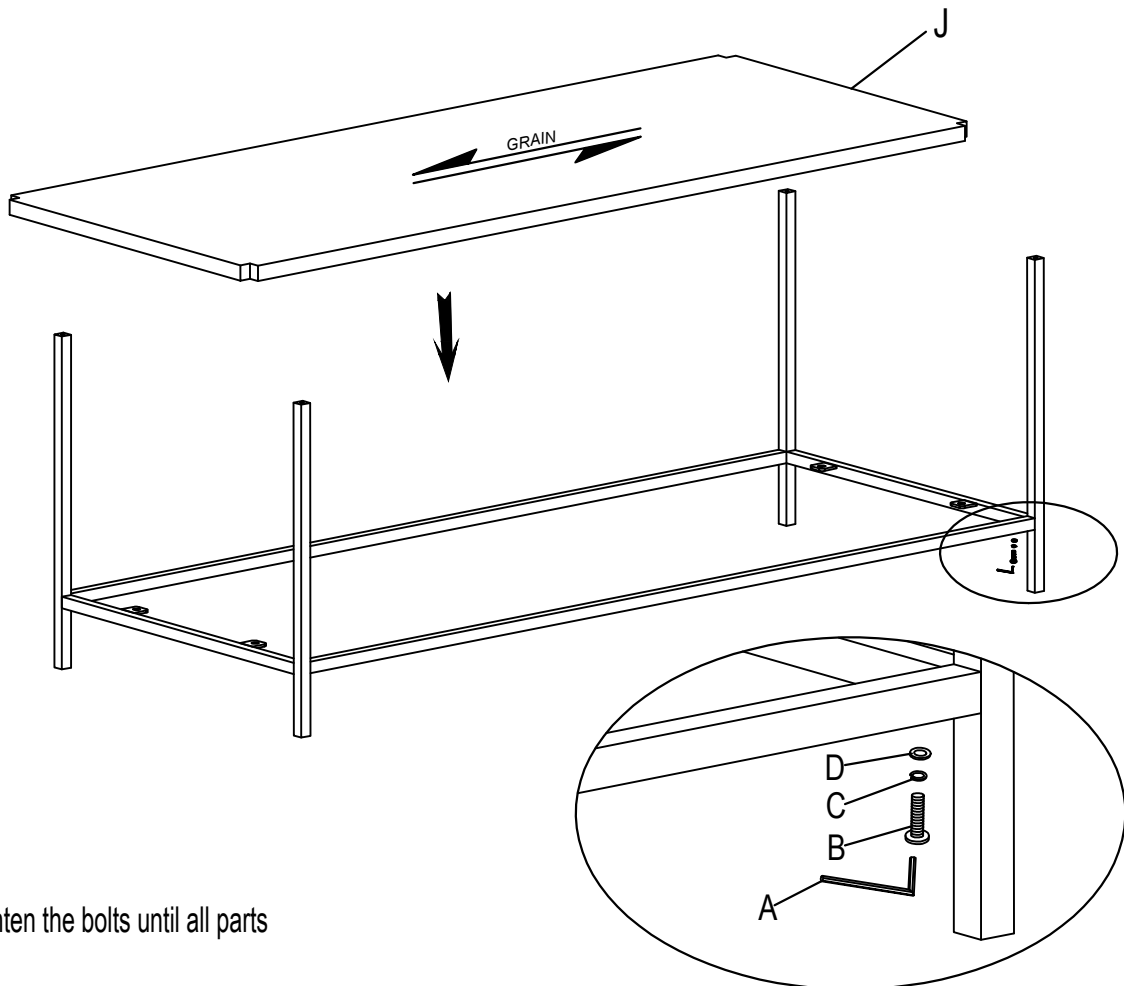
ASSEMBLY INSTRUCTION

N 1131

Step 1



Step 2



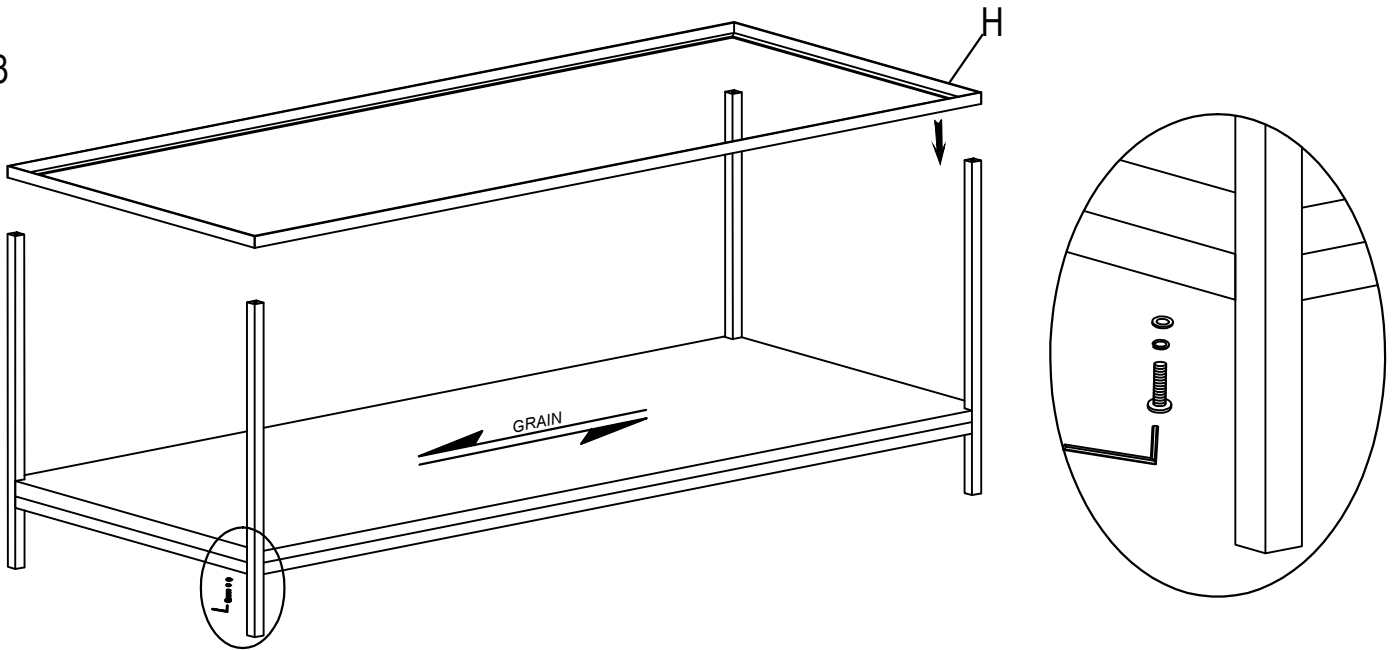
NOTE:

Do not over tighten the bolts until all parts are assembled

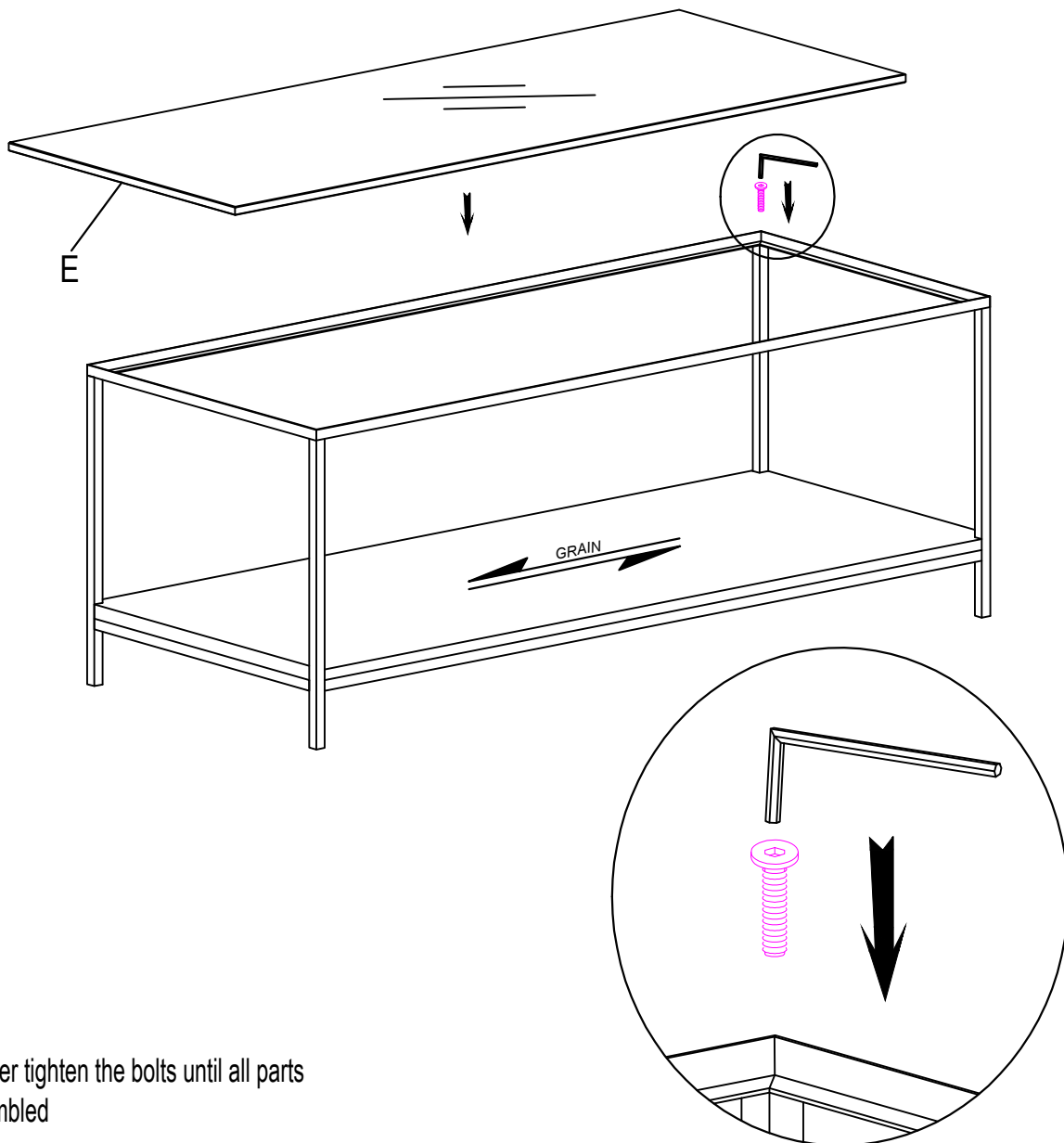
ASSEMBLY INSTRUCTION

N 1131

Step 3



Step 4



NOTE:

Do not over tighten the bolts until all parts are assembled