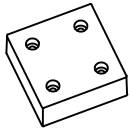


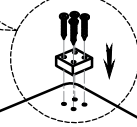
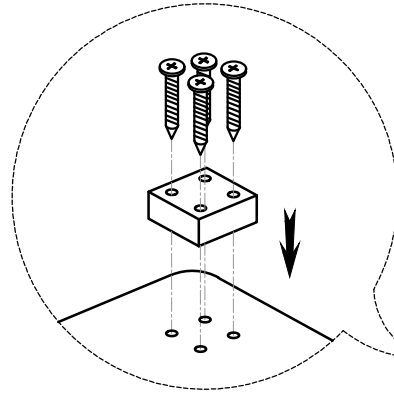
MD 1750 3S Chaise RHF (Nohr)

HARDWARE AND COMPONENT

A



x 8



B



x32
(+2 extra)

PEOPLE REQUIRED



MADE IN VIETNAM

